



HOSPITALITY TAP SYSTEM

Touch-Free HydroTap®

Chilled • Boiling • Sparkling • Filtered



Sensor
Activated



Call 01392 877172 Email hello@thirstywork.com www.thirstywork.com/pura-products
pura is part of the thirsty work family of companies

*New models only

Touch-Free HydroTap®

100% touchless dispense



Shown with integrated font

COLOUR OPTIONS



Bright
Chrome

WATER OPTIONS



Chilled



Ambient



Sparkling



Boiling



Filtered

INSTALLATION OPTIONS



Over Font



Over Sink



Under-counter
Unit

KEY FEATURES

- Touch-free operation
- Infrared smart sensors detect your hand within 1.5cm - 5 cm of the tap
- Illumination lights when in range
- Advanced auto-diagnostics system
- Boiling temperature: 98°C
- Can be installed over sink or font
- Compact under-counter unit
- With **pura3000** filtration

With an increased consideration around hygiene in the workplace, the Touch-Free HydroTap helps you reduce contact points.

Smart infrared sensors provide a 100% touch-free, safe to use solution for staff to access instant filtered boiling, chilled and sparkling drinking water with a simple wave of the hand.

The inbuilt **pura3000** filter puts crystal-clear better-tasting water on tap, filtering out chlorine taste and odour and impurities as tiny as one ten-thousandth of a millimetre, but does not remove beneficial fluoride.

DIMENSIONS

Tap height:	213mm
Dispense height:	123mm
Tap height with extension:	317mm
Dispense height with extension:	228mm
Tap depth:	116mm

Call our **pura** consultant on 01392 877172 or email hello@thirstywork.com to build your hospitality package

Boiling and sparkling, chilled filtered water, instantly.

TYPICAL SPECIFICATION

The Touch-Free HydroTap uses smart infrared sensors to activate the tap to dispense boiling, chilled and sparkling water, all without touching the tap.

Boiling water is delivered smoothly with no spluttering and minimal steam, with a safety lock to prevent accidental dispensing.

An advanced auto-diagnostics system continuously monitors your HydroTap's performance and displays notifications via the main operating screen on the command centre. The unique air cooled refrigeration system is 100% water efficient, unlike other water cooled systems.



To dispense chilled water activate the right sensor



To dispense sparkling water activate the top sensor



To dispense boiling water activate both the left and back safety lock sensors

Branded glass water bottles.

We supply a range of dishwasher-safe **pura** glass water bottles in various capacities with flip-tops or screw caps.

Our glass bottles are printed with the **pura** brand as standard however we also offer a bespoke printing service.

You can choose to brand as little as 100 bottles with your own company logo.



Choose still or sparkling labelling

Choose to brand with your own logo

Order as little as 20 pura bottles

Order as little as 100 bespoke bottles

Visit our website for glass bottle printing options and pricing www.thirstywork.com/pura-products

OUTPUT OPTIONS

The Touch-Free HydroTap® is fed from an under-sink unit. There are many output options to suit your requirements. Choose the most suitable output model for you, based on the cups you need per hour, and your preferred water type: **B = Boiling C = Chilled S = Sparkling H = Hot A = Ambient**

G4 Model	Chilled glasses/hr	Boiling cups/hr	Sparkling glasses/hr	Rating (kW) @ 230V	Under-counter unit dimensions (mm)
BCS 1 - 20 people	75	100	75	2.15	W 280 x D 470 x H 335
BCS 21 - 40 people	75	140	75	2.15 + 2.20 (b)*	W 280 x D 470 x H 335
BCS 41 - 60 people	175	160	175	2.3	W 450 x D 470 x H 335
BCS 61 - 100 people	175	240	175	2.3 + 2.20 (b)*	W 450 x D 470 x H 335
BC 21 - 40 people	75	140	75	2.05 + 2.20 (b)*	W 280 x D 470 x H 335
BC 41 - 60 people	175	160	175		W 450 x D 470 x H 335
BC 61 - 100 people	175	240	175	2.20 + 2.20 (b)*	W 450 x D 470 x H 335
BA 21 - 40 people		160		1.9	W 280 x D 313 x H 335
BA 61 - 100 people		240		1.90 + 2.20 (b)*	W 280 x D 313 x H 335
B 41 - 60 people		160		1.9	W 280 x D 313 x H 335
B 61 - 100 people		240		1.90 + 2.20 (b)*	W 280 x D 313 x H 335
C 21 - 40 people	175			0.3	W 336 x D 476 x H 335
CS 21 - 40 people	175		175	0.3	W 336 x D 476 x H 335

Standard Cup = 167 ml. Standard Glass = 200 ml.

*These are installed with a 2.20kW, externally mounted, booster unit which should be connected to a separate 13 amp supply.

Dimensions are correct at time of printing but may change, please check actual sizes with our Pura advisors before installation.

Call our **pura** consultant on 01392 877172 or email hello@thirstywork.com to build your hospitality package

AVAILABLE ACCESSORIES



Integrated Font

The integrated font provides a stylish counter-top drain, removing the need to install the tap over a sink.



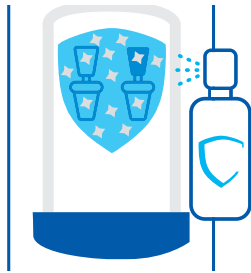
Raised Font

The raised font sits on your work surface and requires a smaller hole for the font bowl in comparison to the integrated font.



Paper Cups

- 7oz recyclable paper cups
- 7oz biodegradable and compostable paper cups
- 4oz biodegradable paper cones



Puraguard

Antibacterial and Antiviral Surface Protection Coating



Model may vary

Under-counter Units

Our HydroTap must be accompanied by our under-counter water boiler/chiller, depending on the output options required.

INSTALLATION

BOILING SYSTEM

Open outlet, vented system,
factory set to operate at 98°C.
Flow rate 4.0 l/min.

CHILLING SYSTEM

Fan-cooled condenser type,
factory set to operate at 5-10°C.
Flow rate above 2.5 bar water
supply pressure.
Chilled 3.0 - 4.0 l/min.
Sparkling 1.3 - 1.8 l/min.
Refrigerant R134a.

LOCATION

Tap must be positioned so that it
drains into a suitable sink, or be
installed on the optional "tap font
kit" which is plumbed to waste.

Tap should be situated as closely
as possible to, and directly above
the under-sink Command Centre.
Maximum distance from the base
of the tap to the Command Centre
is one metre. Command Centre
must have clearances as shown
on the drawings.

Ventilation accessories
(supplied) must be installed as
per instructions.

PLUMBING

Must be installed in accordance with
UK Water Supply Regulations.

Designed for direct connection
to a potable (drinkable) cold water
supply with a minimum pressure
of 2.5 bar (also 2.5 bar if fitted with
booster unit or scale filtration).
A 5 bar pressure limiting valve is
fitted internally.

An isolating valve should be
installed between the water
supply and the Command Centre.

ELECTRICAL

Installation must comply with
current IEE regulations.

Model 100/75 to be wired to a
double pole 13 amp fused spur.

Model 140/75 is installed with
an externally mounted 2.2kW
booster unit and must be connected
to two separate double pole 13 amp
fused spurs.

CAUTION

In hard water areas where
mineral scale accumulation may be
an issue, consideration should be
given to the maintenance required.

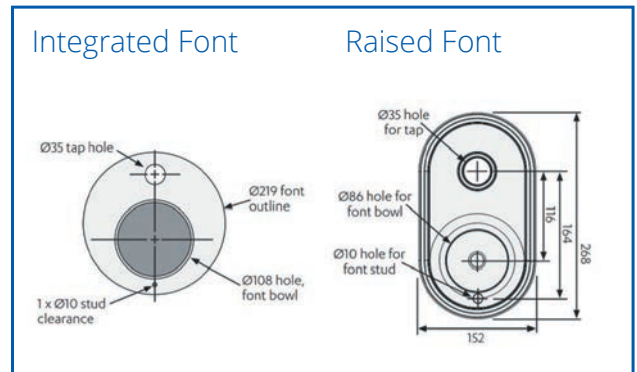
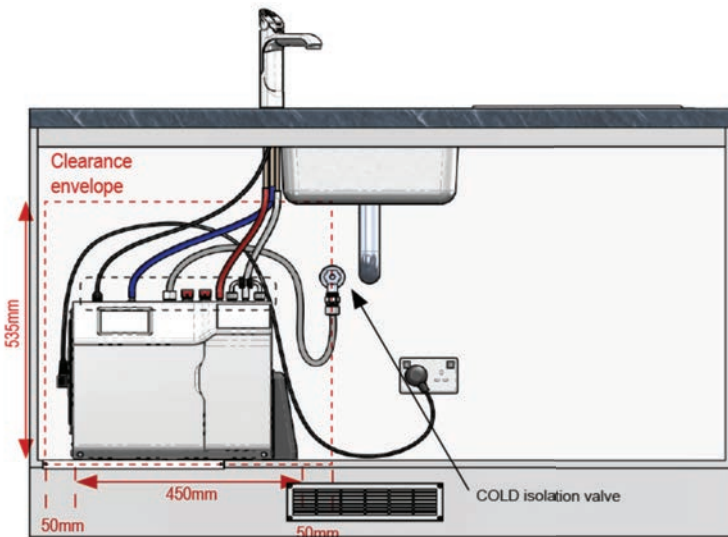
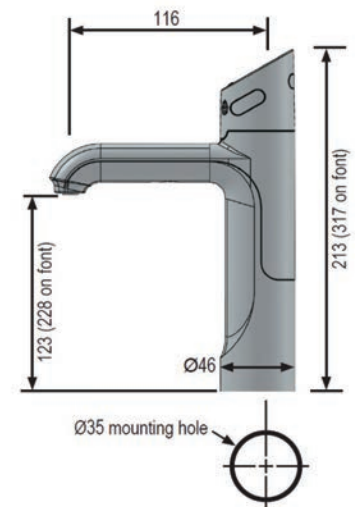
We recommend use of the
high performance **pura3000**
filtration system.

CARBON DIOXIDE

The disposable CO₂ gas cylinder
(not supplied) must be secured in an
upright position in a ventilated area
not less than 38 cubic metres.
Each cylinder contains 1kg of CO₂.

APPROVALS

CE endorsed.



Models listed are to be installed on a sink. To install on a 'font' also specify a font kit.

Model 140/75G4 is installed with an externally mounted 2.2 kW booster unit and must be connected to two separate 13 amp fused spurs.



Call **01392 877172** Email **hello@thirstywork.com** **www.thirstywork.com/pura-products**
pura is part of the thirsty work family of companies