



Recess Mounted Bottle Filler

Chilled • Ambient • Filtered



Call **01392 877172** Email **hello@thirstywork.com**
www.thirstywork.com

Recess Mounted Bottle Filler

The ideal solution where floor space is limited



KEY FEATURES

- Ambient and chilled water options
- Cooled temperature 10°C
- Wall mounted model
- Allows high volume bottle filling
- Heavy duty brushed stainless steel frame
- Highly efficient cooling tank
- Mechanically activated push button
- Designed to eliminate splashing and standing water
- Drip tray
- Removable front panels for maintenance
- With **pura3000** filtration

COLOUR OPTIONS



Brushed
Stainless
Steel

WATER OPTIONS



Chilled



Filtered



Ambient

INSTALLATION OPTIONS



Wall Mounted

Our mounted water point is ideal for schools, gyms and clubs where high volume bottle re-filling is required. This model is recess mounted into the wall, enabling the unit face to sit flush with the wall surface.

This product can be installed at the recommended height for children ages 5 and over, and is easily accessible for all.

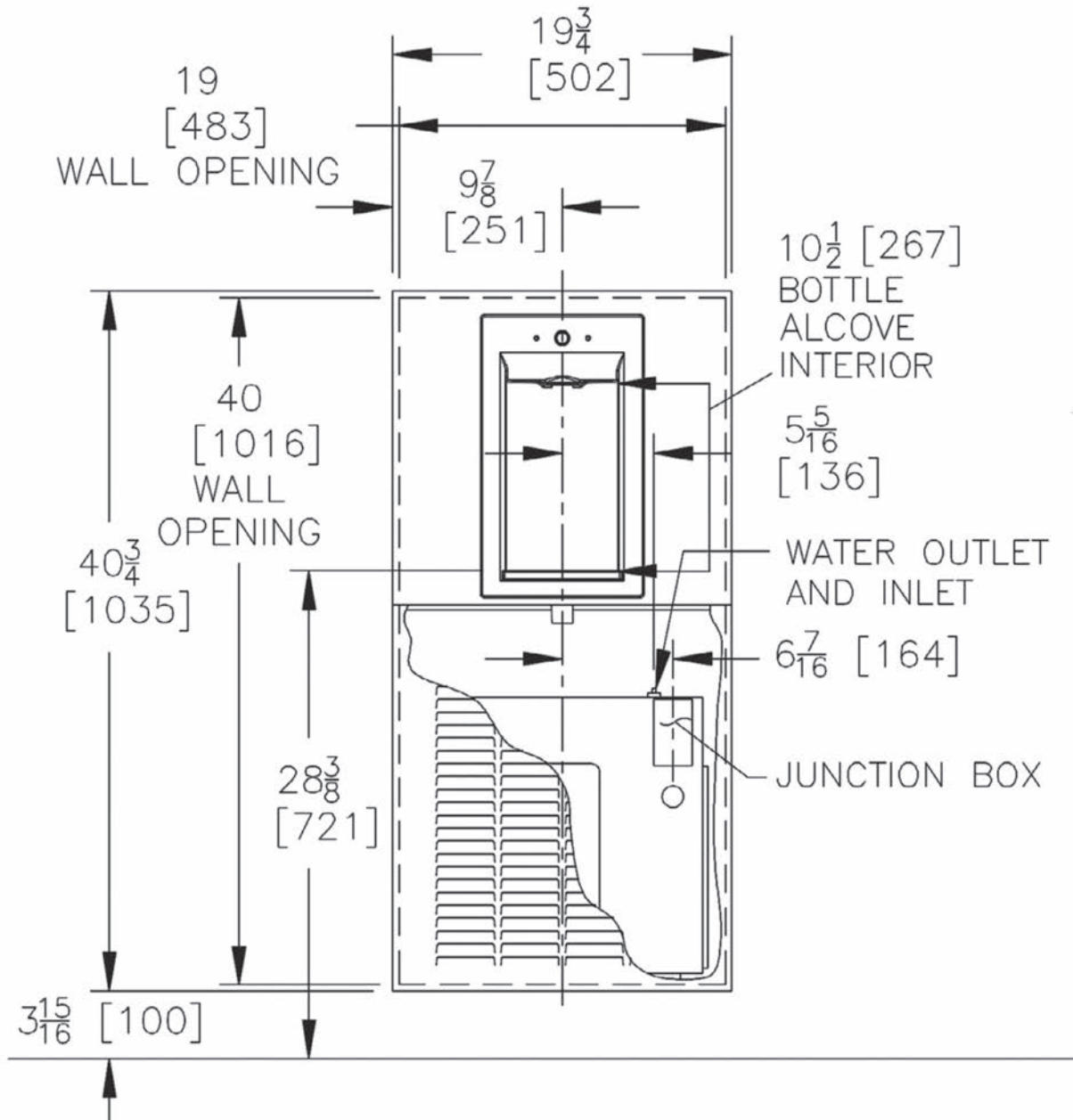
DIMENSIONS

Height:	1035mm
Width:	502mm
Dispense height:	240mm

INSTALLATION

All dimensions are in inches.

Dimensions in brackets [] are in millimetres.



NOTES

1. Recommended adult height installation shown. Adjust vertical dimensions as required to comply with local standard guidelines for accessibility.
2. Stop valve, trap, pipe connector to waste line not provided.

3. All dimensions are in inches.

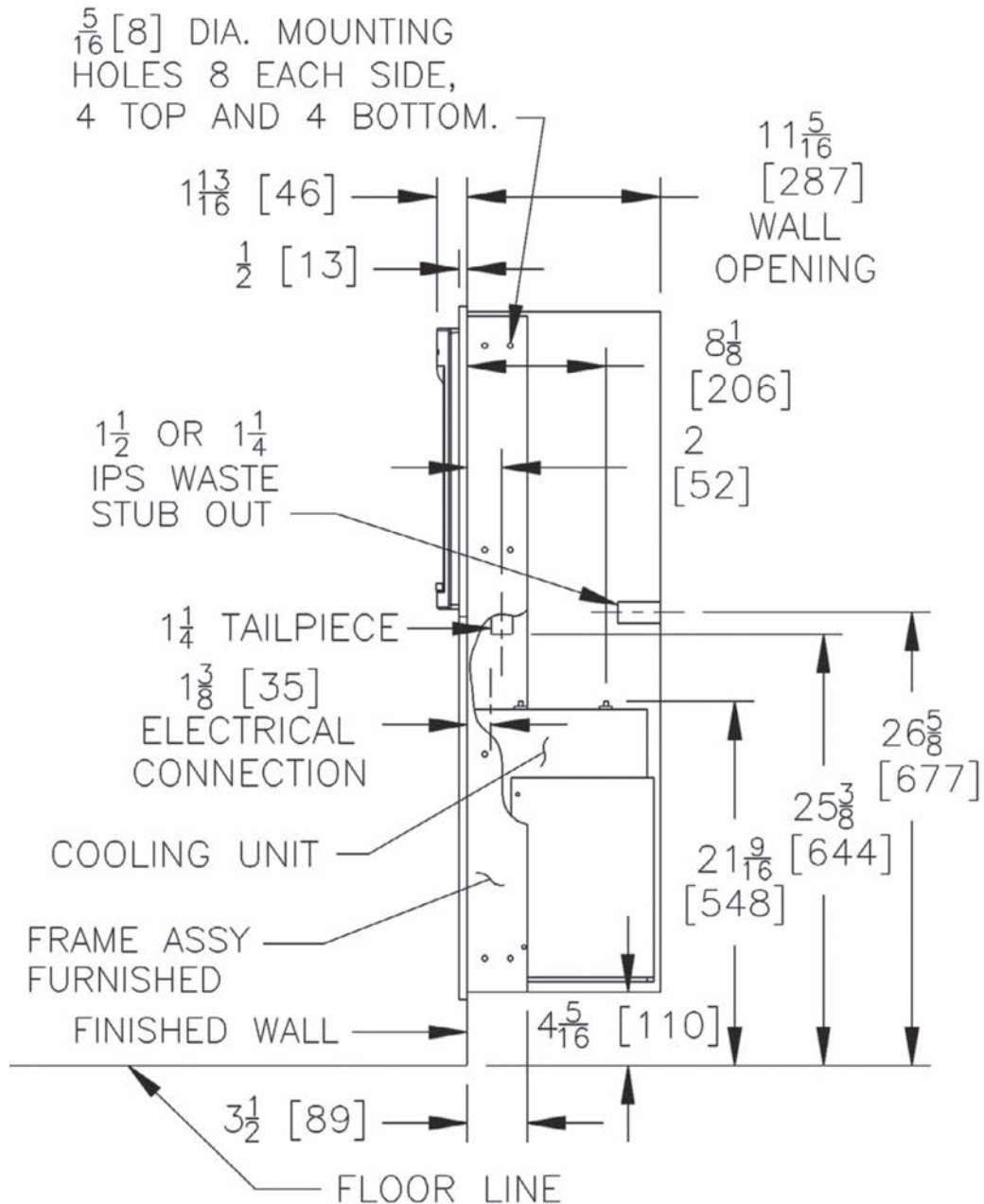
Dimensions in brackets [] are in millimetres.

Call **01392 877172** Email **hello@thirstywork.com**
www.thirstywork.com

INSTALLATION

All dimensions are in inches.

Dimensions in brackets [] are in millimetres.



NOTES

1. Recommended adult height installation shown. Adjust vertical dimensions as required to comply with local standard guidelines for accessibility.
2. Stop valve, trap, pipe connector to waste line not provided.

3. All dimensions are in inches.

Dimensions in brackets [] are in millimetres.

Call **01392 877172** Email **hello@thirstywork.com**
www.thirstywork.com

OUTPUT OPTIONS

The Recess Mounted Bottle Filler is our wall mounted water dispensing unit. There are many output options to suit your requirements.

Choose the most suitable output model for you.

Model	Chilled litres/hr	Rated Input	Unit dimensions (mm)
Ambient			W 502 x D 287 x H 1035
Chilled 60	60	340 W	W 502 x D 287 x H 1035
Chilled 90	90	620W	W 502 x D 287 x H 1035