



HOSPITALITY TAP SYSTEM

HydroTap[®] Plus

Chilled • Boiling • Sparkling • Filtered



Call **01392 877172** Email **hello@thirstywork.com** **www.thirstywork.com/pura-products**
pura is part of the thirsty work family of companies

*New models only

HydroTap® Plus

High performance hot and cold filtered water tap



Shown with integrated font

COLOUR OPTIONS



Bright Chrome



Brushed Chrome



Matt Black

WATER OPTIONS



Chilled



Ambient



Sparkling



Boiling



Filtered

INSTALLATION OPTIONS



Over Font



Over Sink



Under-counter Unit

KEY FEATURES

- Boiling temperature: 98°C
- Can be installed over sink or font
- Cool touch tap and safety lock features
- Compact under-counter unit
- Energy saving sleep modes including sensor activated 'sleep when its dark' and 'powers-off' after two hours of non-use
- Classic or raised font options
- Eco-friendly functionalities, including water conserving air cooling technology and the use of zero-impact refrigerant gas R290
- Auto-diagnosis system monitors HydroTap's performance
- Advanced energy management system
- With **pura3000** filtration

The HydroTap® Plus is the world's most advanced drinking water system, delivering a choice of instant filtered boiling and chilled water for workplaces of all sizes. From a single tap and under counter command centre, the Plus dispenses only the purest tasting water. To prioritise user safety, the HydroTap doesn't splash or spit when dispensing water, and features two boiling water safety modes, plus a cool to touch tap. What's more, the HydroTap features superior technology to conserve water while saving energy and time.

DIMENSIONS

Tap height:	216mm
Dispense height:	126mm
Tap height with extension:	351mm
Dispense height with extension:	260mm
Tap depth:	116mm

Call our **pura** consultant on 01392 877172 or email hello@thirstywork.com to build your hospitality package

Boiling and sparkling, chilled filtered water, instantly.

TYPICAL SPECIFICATION

Under-sink boiling and chilled and sparkling filtered water appliance equipped with electronic tap head. Integral 5 bar pressure limiting and Dual Check valve, **pura3000** filter, air cooled refrigeration system with cleanable lint filter.

The under-sink Command-Centre leads the world in energy-saving technology, has a pin-code protected touch-screen to simplify adjustments and automatically monitors performance to give an operating history, if ever required.

Adjustable boiling temperature set-point. Maintains boiling water to within 0.2°C of set temperature.

Sleeps or “powers-off” after two hours of non-use, and automatically sleeps when the kitchen goes dark to minimise daily power consumption.

Integral 24/7 automatic timer turns power on and off over weekends or weekday periods.

The inbuilt **pura3000** filter puts crystal-clear better-tasting water on tap, filtering out chlorine taste and odour and impurities as tiny as one ten-thousandth of a millimetre, but does not remove beneficial fluoride.

Actual product may vary slightly depending on functionality. The images shown are a representation only.



Simple to install at any kitchen sink.



Can be installed away from any sink with the optional ‘font’ accessory.

Branded glass water bottles.

We supply a range of dishwasher-safe **pura** glass water bottles in various capacities with flip-tops or screw caps.

Our glass bottles are printed with the **pura** brand as standard however we also offer a bespoke printing service.

You can choose to brand as little as 100 bottles with your own company logo.



Choose still or sparkling labelling

Choose to brand with your own logo

Order as little as 20 pura bottles

Order as little as 100 bespoke bottles

Visit our website for glass bottle printing options and pricing www.thirstywork.com/pura-products

OUTPUT OPTIONS

The HydroTap® Plus is fed from an under-sink unit. There are many output options to suit your requirements.

Choose the most suitable output model for you, based on the cups you need per hour, and your preferred water type: **B = Boiling C = Chilled S = Sparkling H = Hot A = Ambient**

G4 Model	Chilled glasses/hr	Boiling cups/hr	Sparkling glasses/hr	Rating (kW) @ 230V	Under-counter unit dimensions (mm)
BCS 1 - 20 people	75	100	75	2.15	W 280 x D 470 x H 335
BCS 21 - 40 people	75	140	75	2.15 + 2.20 (b)*	W 280 x D 470 x H 335
BCS 41 - 60 people	175	160	175	2.3	W 500 x D 520 x H 373
BCS 61 - 100 people	175	240	175	2.3 + 2.20 (b)*	W 500 x D 520 x H 373
BC 21 - 40 people	75	140	75	2.05 + 2.20 (b)*	W 280 x D 470 x H 335
BC 41 - 60 people	175	160	175		W 500 x D 520 x H 373
BC 61 - 100 people	175	240	175	2.20 + 2.20 (b)*	W 500 x D 520 x H 373
BA 21 - 40 people		160		1.9	W 280 x D 313 x H 335
BA 61 - 100 people		240		1.90 + 2.20 (b)*	W 280 x D 313 x H 335
B 41 - 60 people		160		1.9	W 280 x D 313 x H 335
B 61 - 100 people		240		1.90 + 2.20 (b)*	W 280 x D 313 x H 335
C 21 - 40 people	175			0.3	W 336 x D 476 x H 335
CS 21 - 40 people	175		175	0.3	W 336 x D 476 x H 335

Standard Cup = 167 ml. Standard Glass = 200 ml.

*These are installed with a 2.20kW, externally mounted, booster unit which should be connected to a separate 13 amp supply.

Dimensions are correct at time of printing but may change, please check actual sizes with our Pura advisors before installation.

Call our **pura** consultant on 01392 877172 or email hello@thirstywork.com to build your hospitality package

AVAILABLE ACCESSORIES



Integrated Font

The integrated font provides a stylish counter-top drain, removing the need to install the tap over a sink.



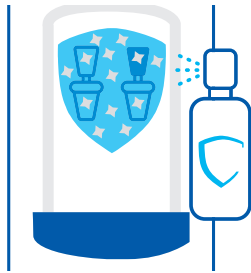
Raised Font

The raised font sits on your work surface and requires a smaller hole for the font bowl in comparison to the integrated font.



Paper Cups

- 7oz recyclable paper cups
- 7oz biodegradable and compostable paper cups
- 4oz biodegradable paper cones



Puraguard

Antibacterial and Antiviral Surface Protection Coating



Model may vary

Under-counter Units

Our HydroTap must be accompanied by our under-counter water boiler/chiller, depending on the output options required.

INSTALLATION

BOILING SYSTEM

Open outlet, vented system,
factory set to operate at 98°C.
Flow rate 4.0 l/min.

CHILLING SYSTEM

Fan-cooled condenser type,
factory set to operate at 5-10°C.
Flow rate above 2.5 bar water
supply pressure.
Chilled 3.0 - 4.0 l/min.
Sparkling 1.3 - 1.8 l/min.
Refrigerant R290.

LOCATION

Tap must be positioned so that it
drains into a suitable sink, or be
installed on the optional "tap font
kit" which is plumbed to waste.

Tap should be situated as closely
as possible to, and directly above
the under-sink Command Centre.
Maximum distance from the base
of the tap to the Command Centre
is one metre. Command Centre
must have clearances as shown
on the drawings.

Ventilation accessories
(supplied) must be installed
as per instructions.

PLUMBING

Must be installed in accordance
with UK Water Supply Regulations.

Designed for direct connection
to a potable (drinkable) cold water
supply with a minimum pressure
of 2.5 bar (also 2.5 bar if fitted with
booster unit or scale filtration).
A 5 bar pressure limiting valve is
fitted internally.

An isolating valve should be
installed between the water
supply and the Command Centre.

ELECTRICAL

Installation must comply with
current IEE regulations.

Model 100/75 to be wired to a
double pole 13 amp fused spur.

Model 140/75 is installed with
an externally mounted 2.2kW
booster unit and must be
connected to two separate
double pole 13 amp
fused spurs.

CAUTION

In hard water areas where
mineral scale accumulation may be
an issue, consideration should be
given to the maintenance required.

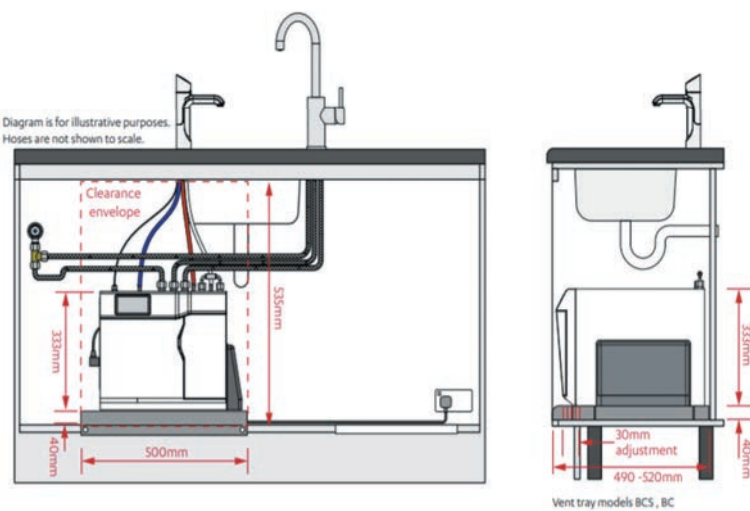
We recommend use of the
high performance **pura3000**
filtration system.

CARBON DIOXIDE

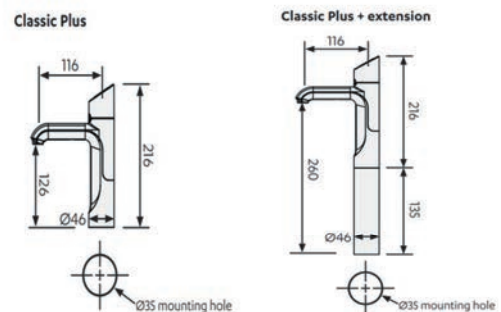
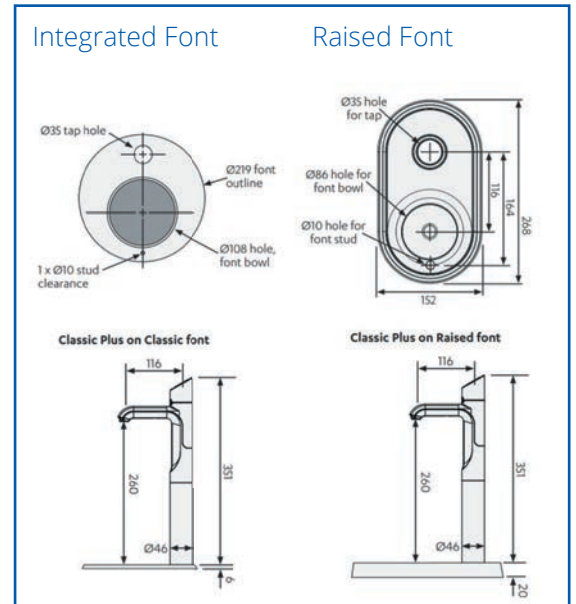
The disposable CO² gas cylinder
(not supplied) must be secured in an
upright position in a ventilated area
not less than 38 cubic metres.
Each cylinder contains 1kg of CO².

APPROVALS

CE endorsed.



Models listed are to be installed on a sink. To install on a 'font' also specify a font kit.



Call **01392 877172** Email **hello@thirstywork.com** **www.thirstywork.com/pura-products**
pura is part of the thirsty work family of companies