



HOSPITALITY BOTTLING SYSTEM

Drink Tower

Chilled • Ambient • Sparkling • Filtered



Call **01392 877172** Email **hello@thirstywork.com** **www.thirstywork.com/pura-products**
pura is part of the thirsty work family of companies

*New models only

Drink Tower

The ideal dispenser for bars and restaurants



KEY FEATURES

- Stainless steel finish as standard
- Ambient, chilled and sparkling water options
- 3 - 10°C temperature
- Portion control dispense - large and small
- LED display
- Push button operation
- Filter replacement alarm
- Over font installation
- On-the-counter or recessed drip tray options
- With **pura** filtration



COLOUR OPTIONS



Stainless Steel

Black

On-the-counter Drip Tray

Recessed Drip Tray

WATER OPTIONS



Chilled

Filtered

Sparkling

Ambient

INSTALLATION OPTIONS



Over Font



Under-counter Unit

Ideal for dispensing large amounts of either still or sparkling chilled water, the Drink Tower is perfectly suited to the hospitality industry, with many output options for bars, restaurants, hotels and canteens.

The ease of use and the choice of high quality materials guarantee maximum hygiene, and the automatic portion control makes dispensing simple in busy environments.

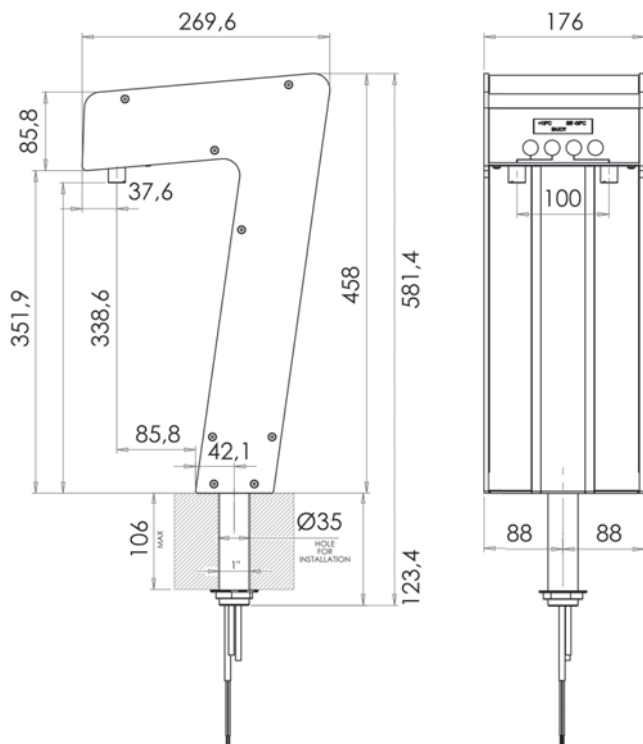
Couple this dispenser with an under-counter unit to meet your dispensing requirement.

DIMENSIONS

Tap height:	458mm
Tap width:	176mm
Tap depth:	270mm
Dispense height:	338mm

The Drink Tower dispenses sparkling, ambient and chilled filtered water, instantly from our high output under-counter units. The tall dispense height allows easy bottle and jug filling.

The tower allows you to set two portion control measurements, small and large, enabling you to quickly and easily fill jugs and glasses at the touch of a button.



Dimensions shown in mm



Branded glass water bottles.

We supply a range of dishwasher-safe **pura** glass water bottles in various capacities with flip-tops or screw caps.

Our glass bottles are printed with the **pura** brand as standard however we also offer a bespoke printing service.

You can choose to brand as little as 100 bottles with your own company logo.



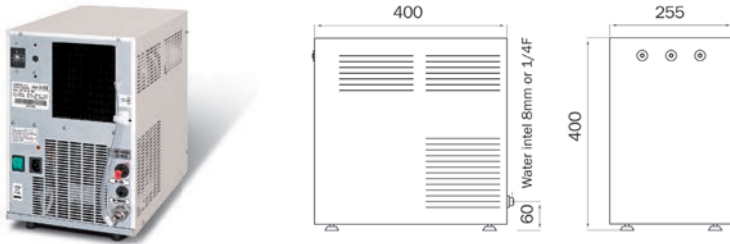
- Choose still or sparkling labelling
- Choose to brand with your own logo
- Order as little as 20 pura bottles
- Order as little as 100 bespoke bottles

Visit our website for glass bottle printing options and pricing www.thirstywork.com/pura-products

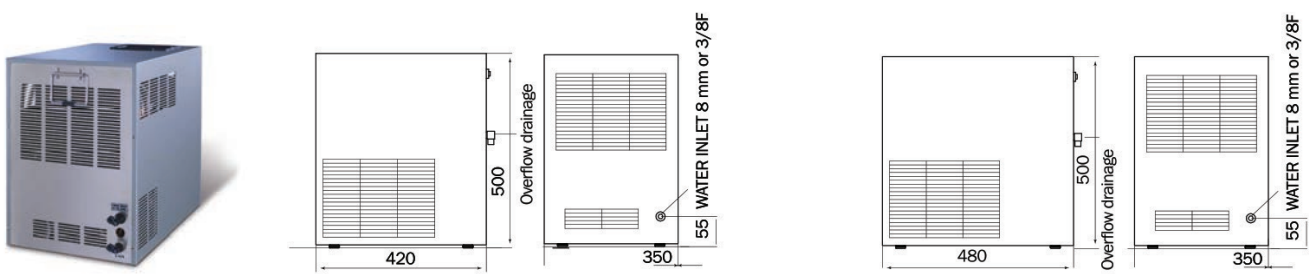
OUTPUT OPTIONS

The Drink Tower is fed from an under-sink unit. There are many output options to suit your requirements.

Under-counter model	Chilled litres/hr	Sparkling litres/hr	Rating (kW) @ 230V	Under-counter unit dimensions (mm)
JClassIN 30 10 - 40 people	30	30	350W	W 255 x D 400 x H 400
JClassIN 45 30 - 50 people	45	45	350W	W 255 x D 400 x H 400



Under-counter model	Chilled litres/hr	Sparkling litres/hr	Rating (kW) @ 230V	Under-counter unit dimensions (mm)
NiagaraIN 65 50 - 100 people	65	65	300W	W 350 x D 420 x H 500
NiagaraIN 120 100 - 180 people	120	120	500W	W 350 x D 480 x H 500
NiagaraIN 180 180 - 300 people	180	180		W 350 x D 530 x H 500



NiagaraIN 65

NiagaraIN 120



Call **01392 877172** Email hello@thirstywork.com www.thirstywork.com/pura-products
pura is part of the thirsty work family of companies