



Part of the **thirstywork** family

Monofit Cutting Template

Manufacturer Instructions

Template must be printed A3 size

Print at actual size

Please note:

The following information provided is for guidance only.

**We do not advise that you partake in any works before seeking specialist advice.
Information correct at time of printing but is subject to change.**

Get in touch with Thirsty Work for more information,
and efficient, seamless service:



Live chat: **www.thirstywork.com**



Email: **hello@thirstywork.com**

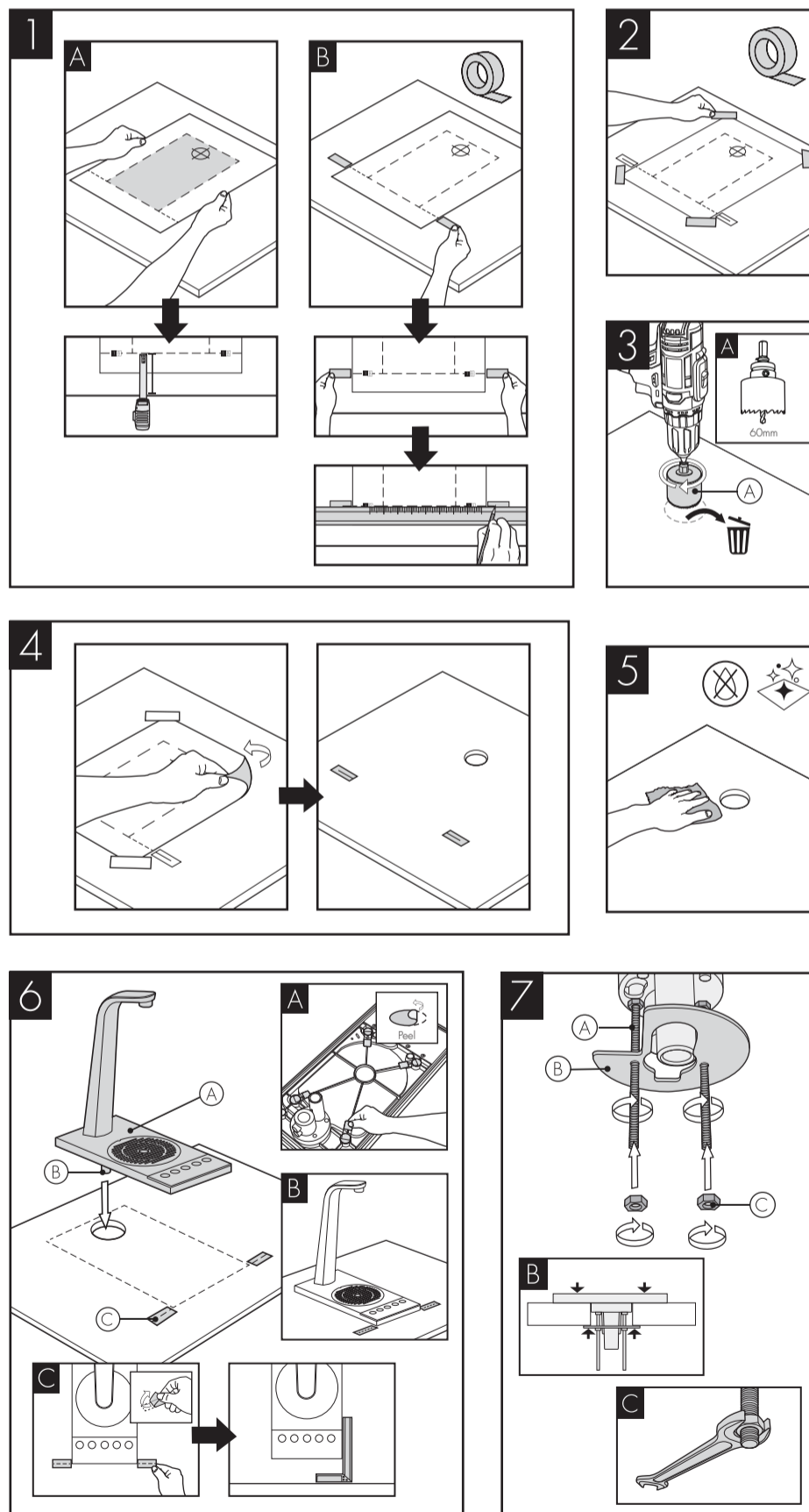
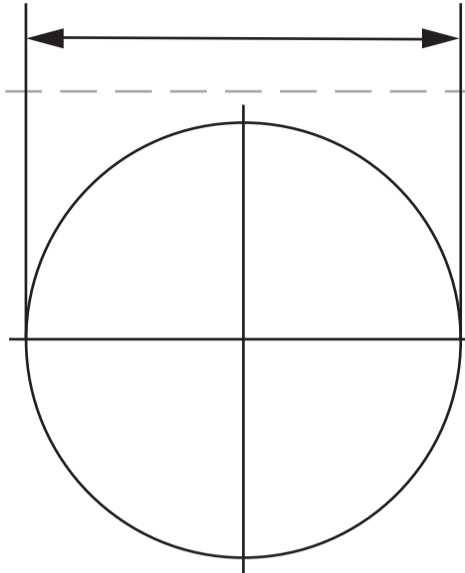


Telephone: **01392 877 172**

We're open Monday – Friday:
8:00am - 5:00pm

60mm

1 A



1 B

1 B