



HOSPITALITY TAP SYSTEM

HydreauBar

Chilled • Sparkling • Filtered • Wash Station



Our regular, reliable servicing package keeps your water dispenser in perfect working order.

Call 01392 877 172 Email hello@thirstywork.com thirstywork.com/pura-products
pura is part of the thirsty work family of companies

HydreauBar

Wash and fill bottles in one seamless process



COLOUR OPTIONS



Stainless Steel

WATER OPTIONS



Chilled



Sparkling



Filtered

INSTALLATION OPTIONS



Over Font



Under-counter Unit


KEY FEATURES

- ✓ Combined bottle wash and fill station
- ✓ Wash and fill bottles in less than 60 seconds!
- ✓ Lower carbon footprint, saves time, reduces costs, zero transport costs, eliminates waste, 100% reusable bottles

Wash station

- ✓ Single or twin bottle configuration
- ✓ Simultaneously sterilises and fills multiple bottles
- ✓ Eliminates pathogens and microbes on internal surfaces, not achieved from washing alone (Log7 reduction)
- ✓ Fully sterilises all internal surfaces without chemicals or detergents
- ✓ Individual bottle recognition
- ✓ No need for a dishwasher or ancillaries
- ✓ Glassware lasts longer

Fill Station

- ✓ Hygienic bottle refill station
- ✓ Chilled and sparkling filtered water
- ✓ Automatically fills multiple bottles
- ✓ Single bottle manual fill option or twin bottle manual auto-fill option: sterilises and fills up to 100 bottles per hour (750ml-1ltr calibration), 45 litres/hr
- ✓ Branded glass water bottles available
- ✓ With **pura3000** filtration
- ✓  **MADE IN BRITAIN**

DIMENSIONS

Tap height:	432mm
Dispense height:	300mm
Width on counter:	350mm
Depth on counter:	372mm

Call our **pura** consultant on 01392 877 172 or email hello@thirstywork.com to build your hospitality package

OUTPUT OPTIONS

The HydreauBar is a unique, counter-top bottle wash and fill station, offering a huge carbon footprint reduction compared to bottled waters. Its simple operation makes it extremely easy to combine washing, draining, refilling, reusing and serving premium filtered water in glass bottles. This has a substantial saving on deliveries and storage space, whilst removing the need for single use glass and plastic bottled water. Ideal for use in bars, canteens, cafes, restaurants and hotels.

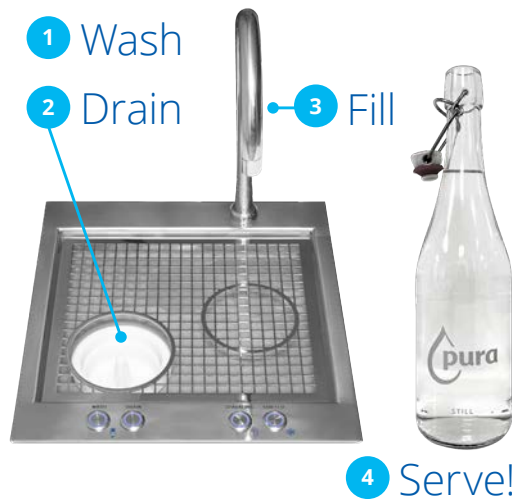


How to use this smart bottling system:

- 1 Simply push the bottle into the washer to sterilise and drain
- 2 Then re-fill your glass bottle with a set portion measure of still or sparkling water (750ml - 1ltr calibration) quickly and ready to serve and pour from.

The HydreauBar can be installed on a counter-top close to a mains water supply and drain.

Output from 45 litres/hr. Greater volumes can be achieved with multiple chillers.



OUTPUT OPTIONS

The HydreauBar is fed from an under-counter unit.

Model	Chilled litres/hr	Sparkling litres/hr	Hot litres/hr	Power	Under-counter unit dimensions (mm)
HydreauBar	45*	45*	N/A	240v/50Hz	W 246 x D 242 x H 443 W 240 x D 254 x H 475

Ventilation duct is included for kick space installation. *From 45 litres/hr, this can be increased with multiple chillers.

60
bottles
£10.95
each

120
bottles
£8.95
each

FULL WRAP PRINT AREA

Branded Glass Water Bottles

Add your own company logo to our 750ml glass bottle.

Through our bespoke printing service you can brand as little as 60 bottles with your own company design and logo. Simply supply us with your vector artwork. Set-up, delivery and full colour printing is included. All prices exclude VAT.

- Cut single-use, plastic bottled water
- Reduce the environmental impact of transportation and packaging waste
- Gain fridge and storeroom space

Visit thirstywork.com for glass bottle printing options and pricing

TYPICAL INSTALL DIAGRAM

Environmentally friendly R290 refrigerant.
Chilled temperature 2°C to 11°C.
Flow rate maximum 3.5 bar water supply pressure.

PLUMBING

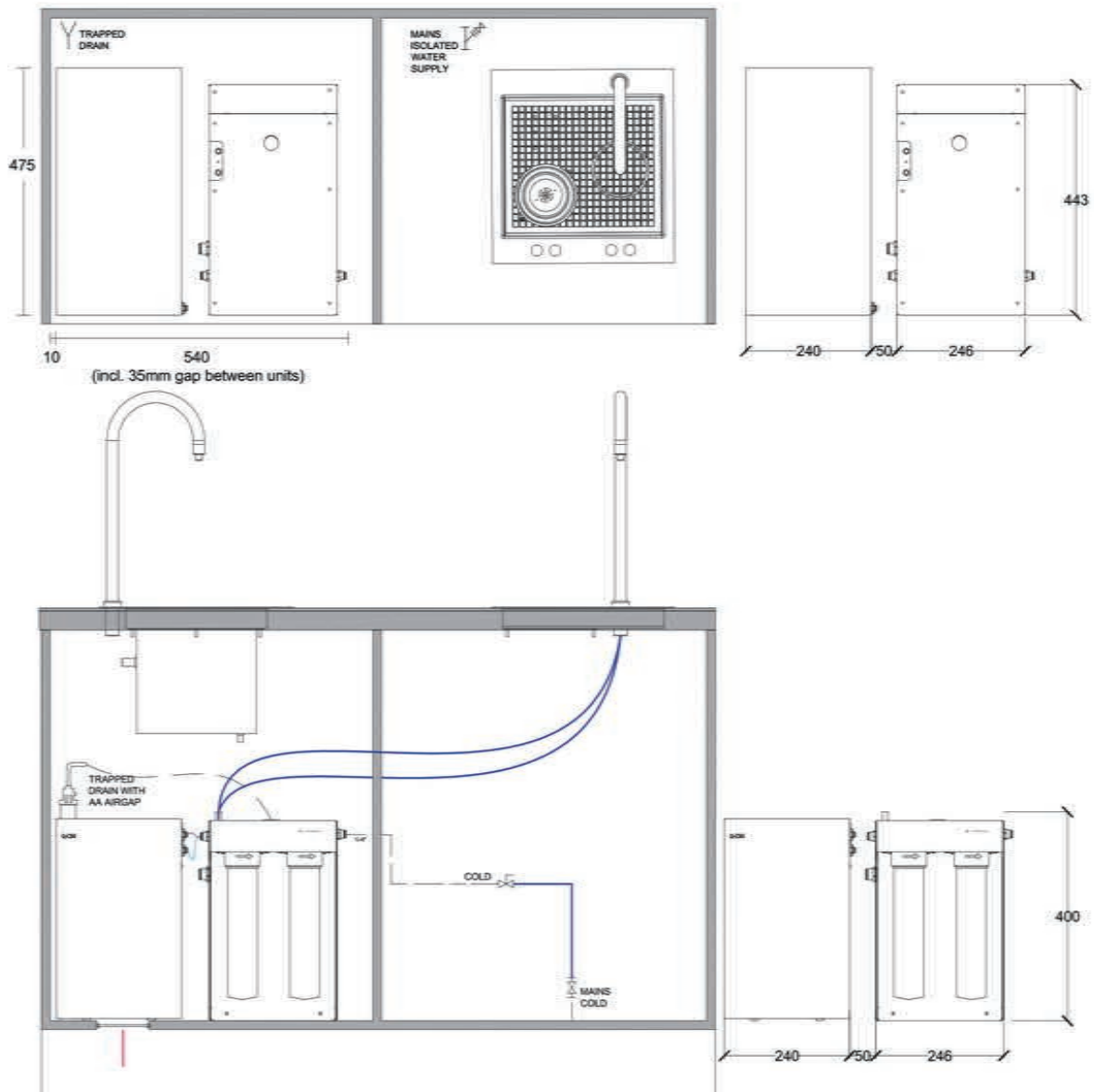
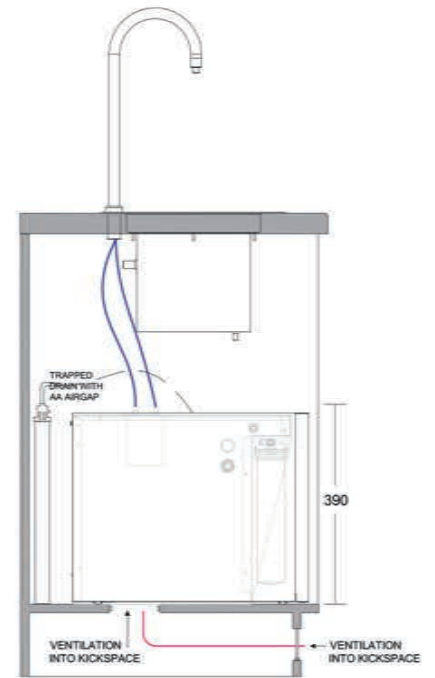
Must be installed in accordance with UK Water Supply Regulations.
Isolated ½" (15mm) mains cold water supply. Trapped waste.

ELECTRICITY

Two 13a 240v plug sockets.

FILTRATION

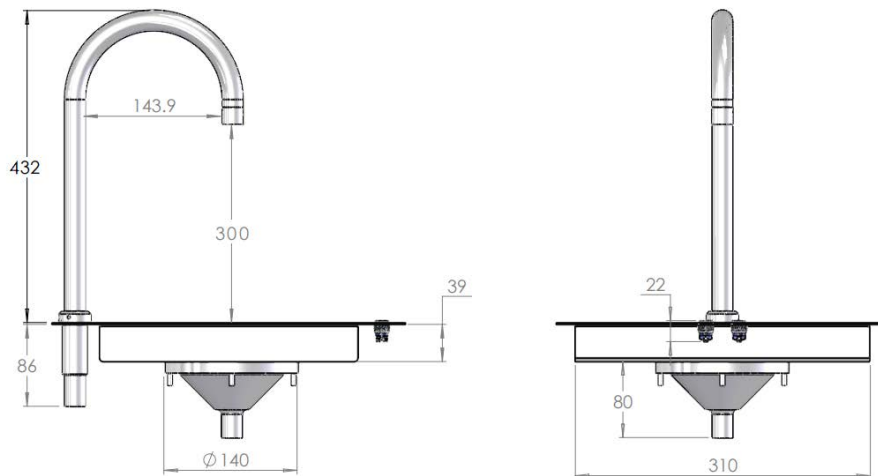
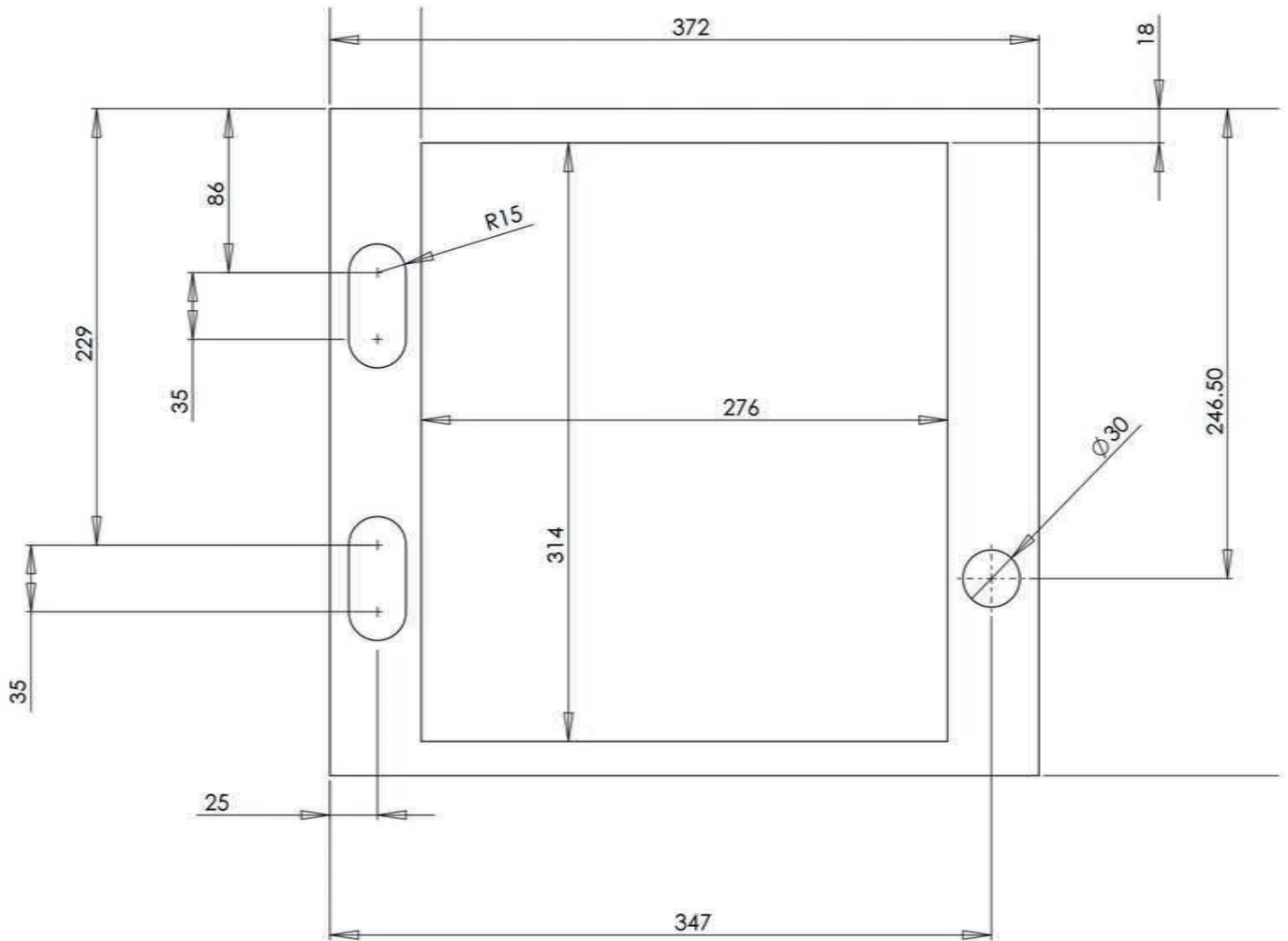
We recommend use of the high performance **pura3000** filtration system.
Refer to manufacturer guidelines for latest installation information.



Dimensions shown are in mm

Call our **pura** consultant on 01392 877172 or email hello@thirstywork.com to build your hospitality package

CUTTING TEMPLATE



Dimensions shown are in mm

Call our **pura** consultant on 01392 877172 or email hello@thirstywork.com to build your hospitality package

AVAILABLE ACCESSORIES



Under-counter Unit

Our HydrauBar must be accompanied by our under-counter units, which fit conveniently into a standard 600mm x 600mm cabinet



Paper Cups

- 7oz recyclable paper cups
- 7oz biodegradable and compostable paper cups
- 4oz paper cones



Glass Bottles

Personalised with your own company logo, our 750ml Glass Water Bottles enable you to serve high quality water while emphasising your brand.



Puraguard

Antibacterial and Antiviral
Surface Protection Coating



Call **01392 877 172** Email hello@thirstywork.com thirstywork.com/pura-products
pura is part of the thirsty work family of companies