



Oasis OutdoorWM Bottle Filler

Mains Fed • Wall Mounted • Ambient



trial it, love it, keep it!

Request your no obligation 10 day trial

Call **01392 877 172** Email **hello@thirstywork.com**

www.thirstywork.com/free-trial



hydrateconsciously!
We're committed to reducing plastic waste

Oasis OutdoorWM

Mains fed, wall mounted, outdoor bottle filler



KEY FEATURES

- High volume water bottle filler
- Choose from 2 colour options
- Wall mounted
- Suitable for outdoor public environments
- Heavy duty, vandal-resistant
- Non-filtered, non-refrigerated model
- Manual push-button activation
- 316 stainless steel
- No electricity required

COLOUR OPTIONS (may vary on final product)



Forest green



White

WATER OPTIONS



Ambient

INSTALLATION OPTIONS



Wall mounted

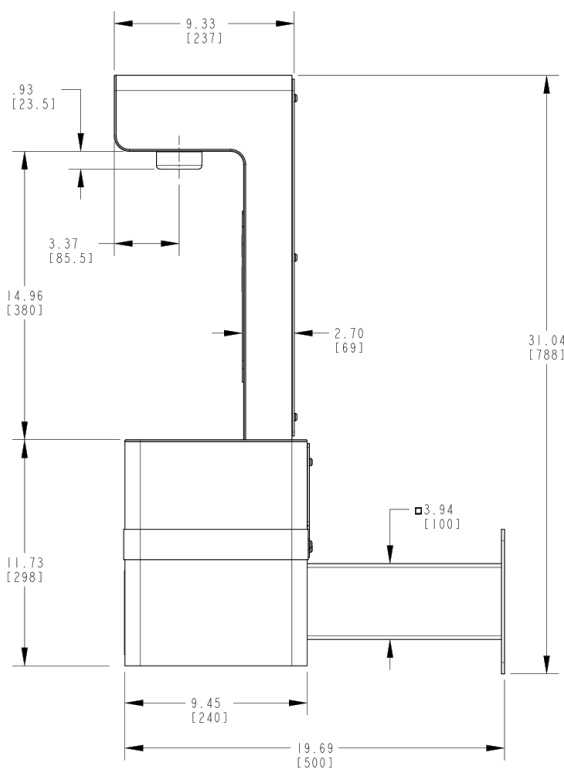
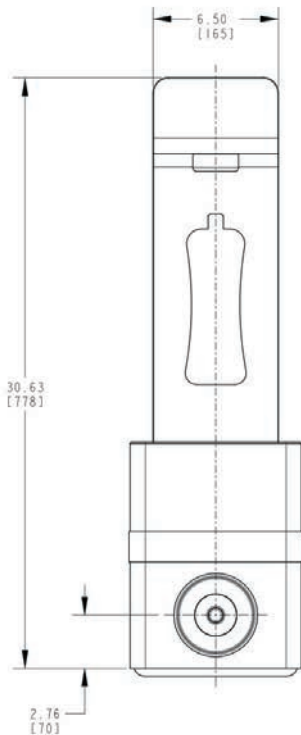
The Oasis OutdoorWM wall mounted bottle filler is ideal for outdoor installation in busy environments. It has been designed with an open-sided alcove for easy access and vandal-resistant, corrosion-resistant cabinetry to ensure durability in any environment.

The Oasis OutdoorWM Bottle Filler is a sustainable hydration solution that promotes eco-friendly habits and reduces plastic waste and litter, refilling standard 500ml drinks bottle fast. It requires no electricity, for easy installation and maximum flexibility in placement.

DIMENSIONS

Height:	788mm
Width:	216mm
Depth:	514mm
Dispense height:	380mm

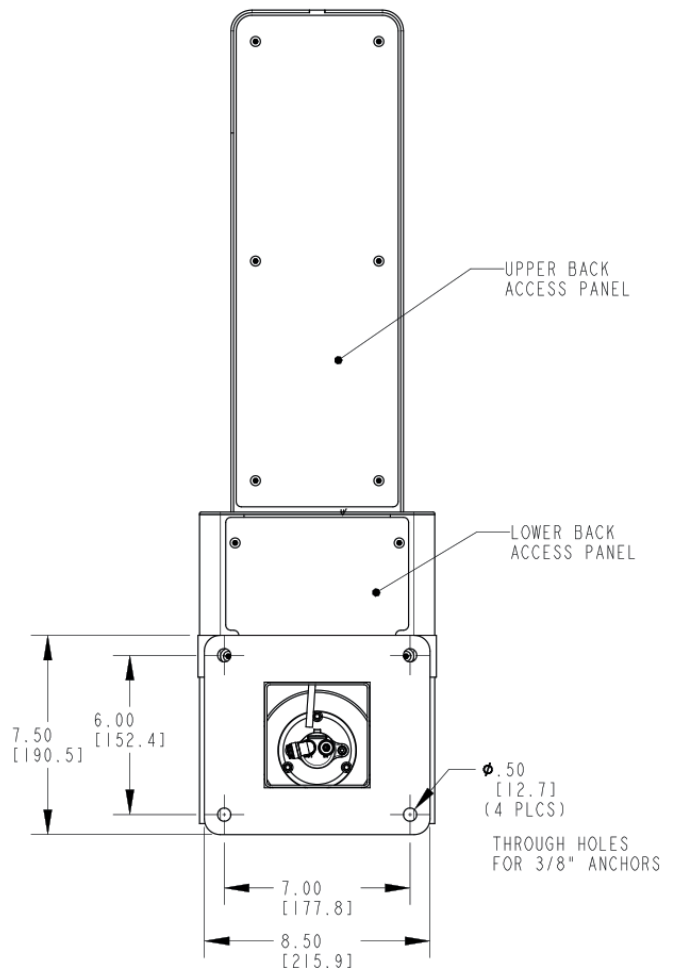
UNIT DIMENSIONS



INSTALLATION REQUIREMENTS

The Oasis OutdoorWM requires adequate wall space for installation. Please ensure that the following is available where the unit is to be installed:

- ✓ **Minimum installation wall space: W 440mm x D 620mm**
- ✓ **Minimum height clearance requirement: H 530mm.**
- ✓ **A potable mains water supply within 5 metres of unit installation location.**
- ✓ All of the above can be confirmed in your site survey.



Information correct at time of printing, please check manufacturer website for latest installation information.

Call **01392 877 172** or email **hello@thirstywork.com** to build your drinking water system

FULL SPECIFICATION Wall-mounted, Oasis OutdoorWM Water Bottle Filler

Rated input	N/A
Throughput litres per hour	Dependant on mains water pressure
Dimensions	216mm (W) x 514mm (D) x 788mm (H)
	Dispense height: 380mm

AVAILABLE ACCESSORIES

 Plastic-free
Recycle me!



Recyclable Paper Cups

- 7oz recyclable paper cups
- 4oz paper cones



Thirsty Work Water Bottles

Thirsty Work 500ml reusable stainless steel water bottles. 67mm x 270mm high.



Bespoke Printed Water Bottles

Add your own company logo to our 500ml reusable stainless steel water bottles. Available in a range of colours.

trial it, love it, keep it!

Request your no obligation 10 day trial

Call **01392 877 172** Email **hello@thirstywork.com**

www.thirstywork.com/free-trial