



# AquaPointe Bottle Filler

Ambient • Filtered



Optional  
touch-free,  
sensor  
activated  
dispense

Ambient  
and chilled  
model  
options

Call **01392 877 172** Email [hello@thirstywork.com](mailto:hello@thirstywork.com)  
[www.thirstywork.com](http://www.thirstywork.com)



# Wall Mounted Bottle Filler

Our most compact non-refrigerated bottle filler



Manual non-refrigerated model



Touch-free non-refrigerated model

## KEY FEATURES

- Ambient water (non-refrigerated model)
- Compact sports bottle filler
- Manual push button activation or optional electronic touch-free activation with shut-off timer
- Large alcove to fit most sports bottles
- Basin is designed to eliminate splashing and standing water.
- Surface wall-mounted
- Heavy duty steel frame
- No electricity required to operate the manual non-refrigerated model
- Built-in drainage - no drip tray to empty
- Simple to replace existing fountains
- With **pura3000** filtration
- Optional **puraguard** Antibacterial and antiviral protection

## COLOUR OPTIONS



Brushed Stainless Steel

## WATER OPTIONS



Ambient



Filtered

Not all options are included as standard, please choose at point of order

## INSTALLATION OPTIONS



Wall Mounted

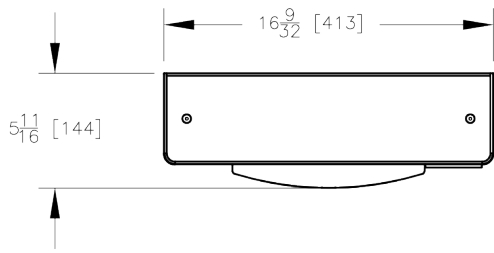
The AquaPointe bottle filler is our most compact bottle filler, available as a non-refrigerated, or refrigerated model. It is ideal for busy venues, such as public buildings, gyms and sports complexes, hospitals, schools, and offices. The manual non-refrigerated model requires no power to operate.

Puraguard is a ground-breaking protective antimicrobial coating that can be applied to your dispensers taps on request).

## DIMENSIONS

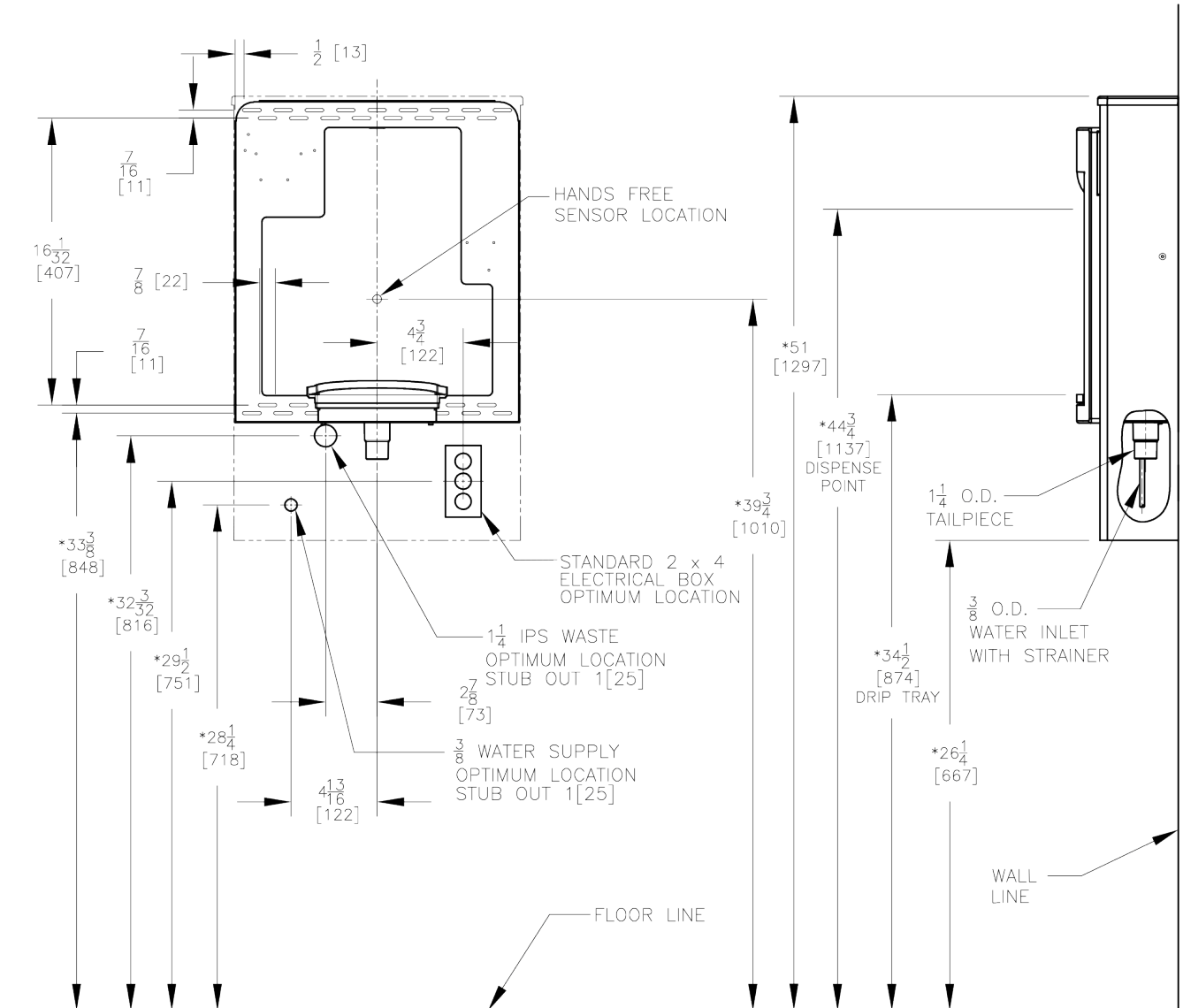
Height (non-refrigerated):	630mm
Width (non-refrigerated)::	413mm
Depth (non-refrigerated)::	144mm
Dispense height:	265mm

**MANUAL NON-REFRIGERATED INSTALLATION**



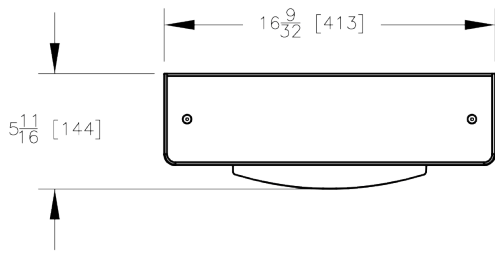
**NOTES:**

- \* 1. RECOMMENDED ADULT HEIGHT INSTALLATION SHOWN. ADJUST VERTICAL DIMENSIONS AS REQUIRED TO COMPLY WITH FEDERAL, STATE AND LOCAL CODES.
- 2. STOP VALVE, TRAP, PIPE CONNECTOR TO WASTE LINE AND  $\frac{3}{8}$  COMP. FITTING NOT PROVIDED.
- 3. ALL DIMENSIONS ARE IN INCHES. DIMENSIONS IN BRACKETS [ ] ARE IN MILLIMETERS.



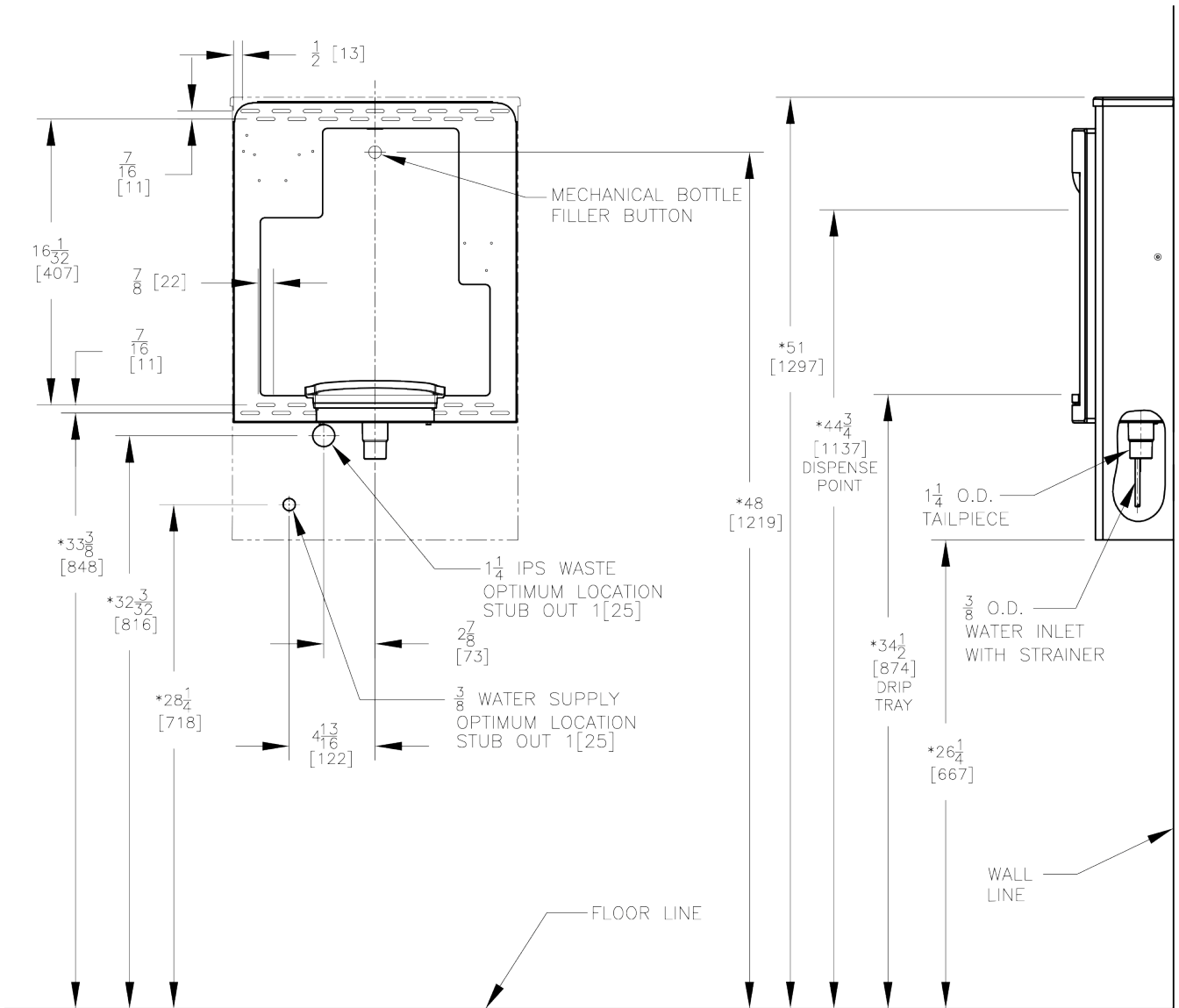
<p>THIRD ANGLE PROJECTION</p>	<p>ROUGHING-IN AND DIMENSIONAL DRAWING</p>
-------------------------------	--

**TOUCHLESS NON-REFRIGERATED INSTALLATION**



**NOTES:**

- \* 1. RECOMMENDED ADULT HEIGHT INSTALLATION SHOWN. ADJUST VERTICAL DIMENSIONS AS REQUIRED TO COMPLY WITH FEDERAL, STATE AND LOCAL CODES.
- 2. STOP VALVE, TRAP, PIPE CONNECTOR TO WASTE LINE AND  $\frac{3}{8}$  COMP. FITTING NOT PROVIDED.
- 3. ALL DIMENSIONS ARE IN INCHES. DIMENSIONS IN BRACKETS [ ] ARE IN MILLIMETERS.



<p>THIRD ANGLE PROJECTION</p>	<p>ROUGHING-IN AND DIMENSIONAL DRAWING</p>
-------------------------------	--

**FULL SPECIFICATION** Aquapointe manual, non-refrigerated surface-mounted bottle filler.

Max power consumption	Manual: No power required
Throughput litres per hour	As mains water supply
Dimensions	413mm (W) x 144mm (D) x 630mm (H)
Weight	5kg

**FULL SPECIFICATION** Aquapointe contactless, non-refrigerated surface-mounted bottle filler.

Max power consumption	Contactless: 7W	Power supply: 220-240V, 50/60 Hz
Throughput litres per hour	As mains water supply	
Dimensions	413mm (W) x 144mm (D) x 630mm (H)	
Weight	5kg	

#### AVAILABLE ACCESSORIES



#### Paper Cups

- 7oz recyclable paper cups
- 7oz biodegradable and compostable paper cups
- 4oz paper cones



#### Puraguard

- Antibacterial and Antiviral Protection Coating