



thirstywork

we're all about water!

LK-Outdoor

Mains Fed • Floor Mounted • Ambient



trial it, love it, keep it!

Request your no obligation 10 day trial

Call **01392 877172** Email **hello@thirstywork.com**

www.thirstywork.com/free-trial



LK-Outdoor

Mains fed, floor mounted, outdoor bottle filler
LK4405BF



COLOUR OPTIONS (may vary on final product)



Evergreen



Blue



Purple



Red



Terracotta



Orange



Yellow



Black



Brown



Gray



Beige



White

WATER OPTIONS



Ambient

INSTALLATION OPTIONS



Floor-standing

KEY FEATURES

- High volume water bottle filler
- Choose from 12 colour options
- Suitable for outdoor public environments
- Heavy duty vandal-resistant
- One gallon per minute output of ambient water
- Non-filtered, non-refrigerated model
- Laminar flow provides minimal splash
- Simple push-button activation

The LK-Outdoor pedestal bottle filling station is ideal for outdoor installation, with a strong steel frame and a simple push-button activation unit to prevent damage from vandals. A water flow rate of one gallon per minute means that it'll fill your standard 500ml drinks bottle in an impressive seven seconds.

A high level of cleanliness is achieved primarily due to an in-line strainer which sits in the water inlet. This traps particles of dirt as tiny as 0.14 millimetres or larger, preventing any stray dirt or other contaminants from entering the waterways.

This bottle filler has been built with heavy duty vandal-resistant and corrosion-resistant features. The access panel is cast from heavy duty steel, with anti-vandal screws. This provides easy access should you need to alter or replace any plumbing connections, yet impossible access for troublemakers.

DIMENSIONS

Height:	1626mm
Width:	254mm
Depth:	254mm

MOUNTING INSTRUCTIONS AND PLUMBING CONNECTIONS

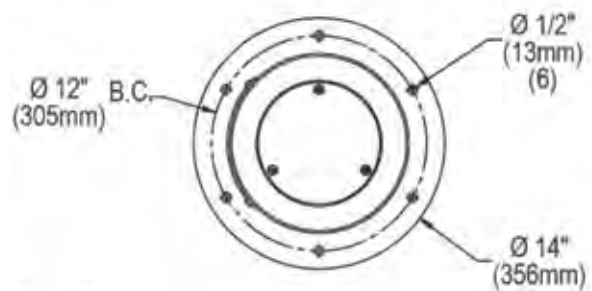
IMPORTANT! INSTALLER PLEASE NOTE:

Refer to diagrams for plumbing rough-in. Provide solid, well-drained smooth, flat, finished surface to mount pedestal bottle filler (concrete pad recommended) with adequate support (300lb. load minimum). To secure unit, use (6) 3/8" minimum fasteners (not provided).

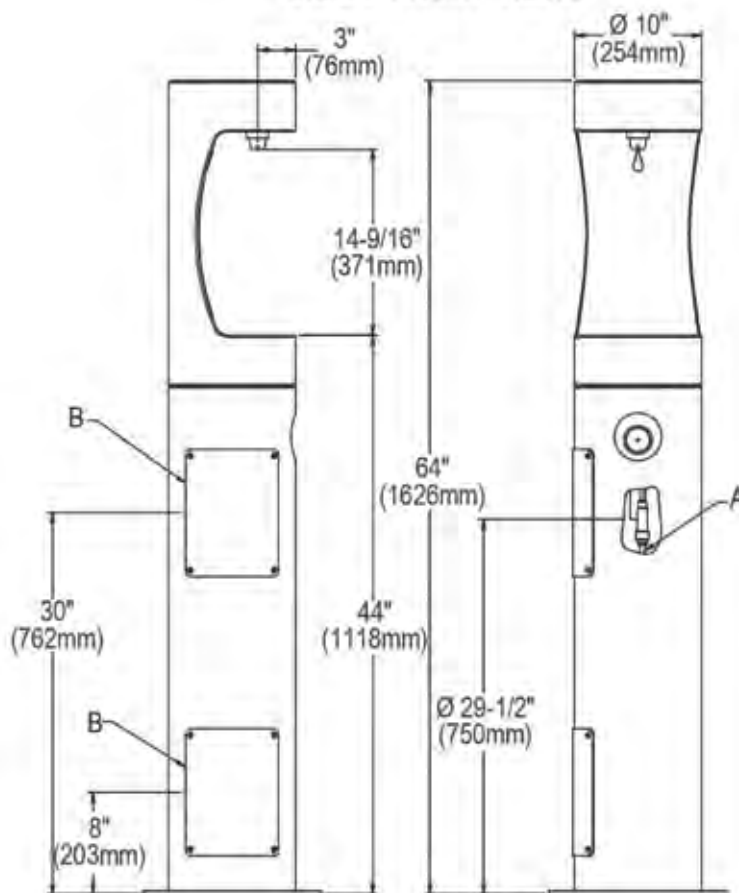
A service supply stop must be installed at the bottle filler inlet line.

Trap and service stop not included.

Position pedestal over plumbing and secure base to fasteners. Remove access panels and connect supply and water lines. Turn on water supply and check for leaks. Refer to owner's manual for detailed instructions. Reassemble access panels to pedestal.



SIDE & FRONT VIEWS



A = 3/8" O.D. Unplated copper tube connect. Shut off valve by others.
 B = Access panel(8" x 10")

FULL SPECIFICATION Floor-mounted, LK-Outdoor Water Bottle Filler

Rated input	N/A	
Throughput litres per hour	Approximately 272 L/h	Depending on mains water pressure
Dimensions	254mm (W) x 254mm (D) x 1626mm (H)	
	Dispense height: 310mm	

trial it, love it, keep it!

Request your no obligation 10 day trial

Call **01392 877172** Email **hello@thirstywork.com**

www.thirstywork.com/free-trial